

# Fluid control valve(2/2way)

2W Series (Internally piloted and normally closed)



## Symbol



## Product feature

- 1、 2/2 way internally piloted and normally closed type solenoid valve can quickly change the direction and has large volume.
- 2、 It has tight structure, small size and light weight. It is easy to be installed and dismounted.
- 3、 The valve body is made of brass. The temperature classification of coil is B. The standard's material is FPM-F, please contact us if other material needed.
- 4、 The levels of protection of the coil are IP65 and the electrical entry includes grommet and terminal.

## Valve's specification

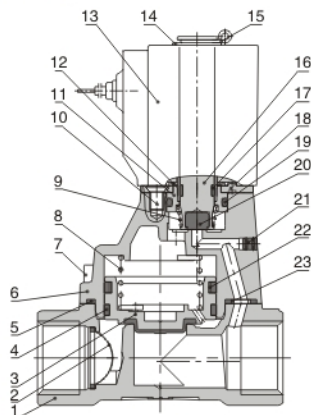
Acting	Internal piloted				
Initial status	Normally closed				
Adaptable fluid ①	Air、 Water、 Oil				
Viscosity limit	Under 20 CST				
Ambient and fluid temperature ( °C )		Water	Air	Oil	Ambient
	MAX.	80	90	80	70
	Min.	1	-20 ②	-10 ③	-20

①Note: Please refer to PI-79 for detail of other's fluid;

②Note: Dew point:-20 ( °C ) or less; ③Note: 50CST or less.

## Inner structure

### 2W150 Grommet



NO.	Item	NO.	Item	NO.	Item	NO.	Item
1	Body	7	Screw	13	Coil	19	O-ring
2	Filter	8	Spring	14	Washer	20	Airtight ring
3	Piston	9	Spring	15	E Clip	21	Plug
4	Wear ring	10	Screw	16	Movable core	22	Spring
5	O-ring	11	Fixed cap	17	Wear ring	23	Spacer
6	Cover	12	Washer	18	Fixed plate		

## Specification

Type/Item	Port Size <sup>①</sup>	Orifice size (φ mm)	Cv	Valid Area of section (mm <sup>2</sup> )	Weight <sup>②</sup> (g)	Operating pressure differential		Proof pressure	
						MPa	psi	MPa	psi
2W150-15	1/2"	15.0	5.50	100.0	720	Max: 1.0 Min: 0.05	Max: 150 Min: 10	1.5	220
2W200-20	3/4"	20.0	9.50	170.0	950				
2W250-25	1"	25.0	12.50	220.0	1200				

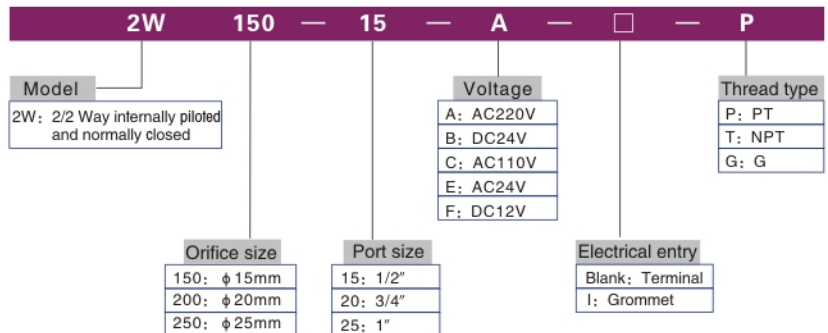
① PT thread, NPT thread and G thread are available.

② The weight in the table is the terminal valve's weight, grommet valve's weight is 10g less than terminal's.

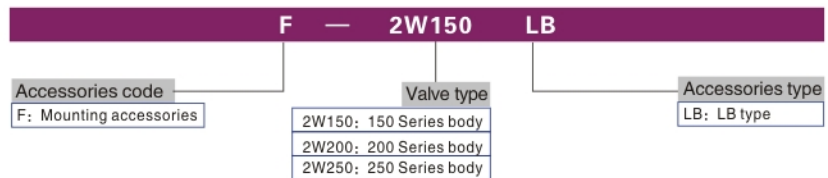
## Specification of coil

Valve type	Coil type	Power	Frequency (Hz)	Voltage range	Electrical entry	Power consumption	Insulation	Temp rise(°C)
2W150	CDA116	AC	50	± 15%	Terminal (CDA) Grommet (CLA)	10.0VA	Class B	35
2W200	CLA116		60			8.0VA		30
2W250		DC	-	± 10%		6.5W		30

## Ordering code



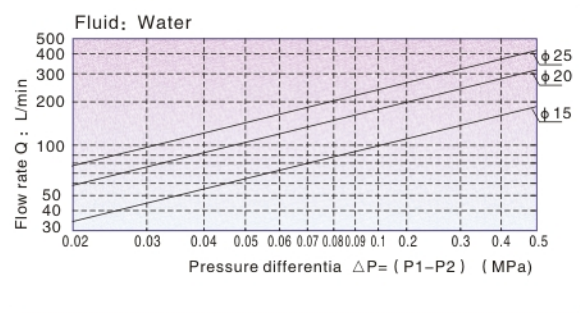
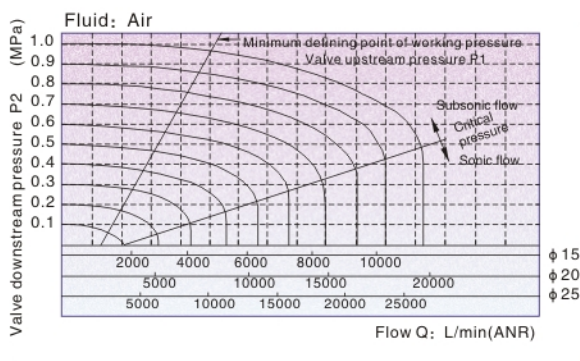
## Ordering code of accessories



# Fluid control valve(2/2way)

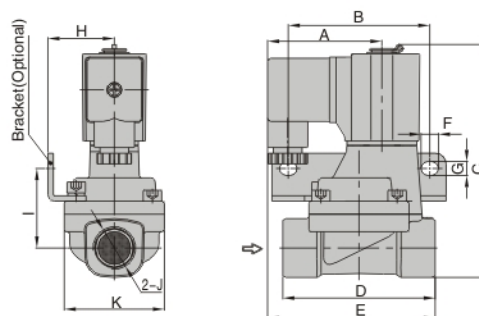
2W Series ( Internally piloted and normally closed)

## Flow chart



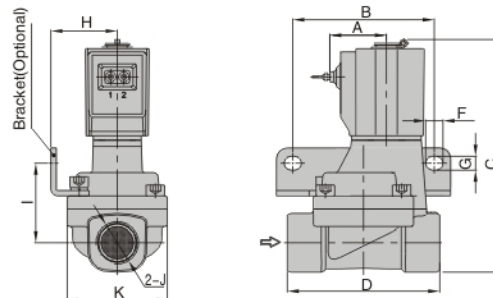
## Dimensions

### Terminal



Type/Item	A	B	C	D	E	F	G	H	I	J	K
2W150-15	52.5	65	107	70	77	8	6.4	30.5	36.5	1/2"	46
2W200-20	52.5	75	115.4	82	78.5	8	6.4	34	40	3/4"	53
2W250-25	52.5	80	124	92	81	8	6.4	36	44.5	1"	59

### Grommet



Type/Item	A	B	C	D	F	G	H	I	J	K
2W150-15	26	65	107	70	8	6.4	30.5	36.5	1/2"	46
2W200-20	26	75	115.4	82	8	6.4	34	40	3/4"	53
2W250-25	26	80	124	92	8	6.4	36	44.5	1"	59